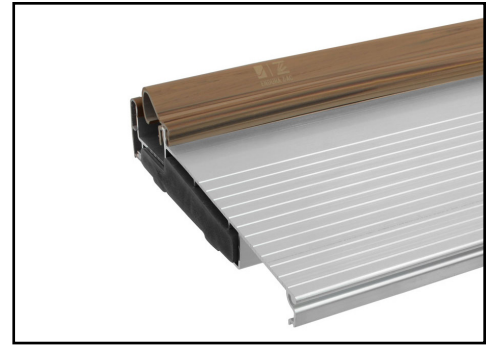


Endura Z-Articulating Cap Sill™ and Sealing System



Preparation Instructions

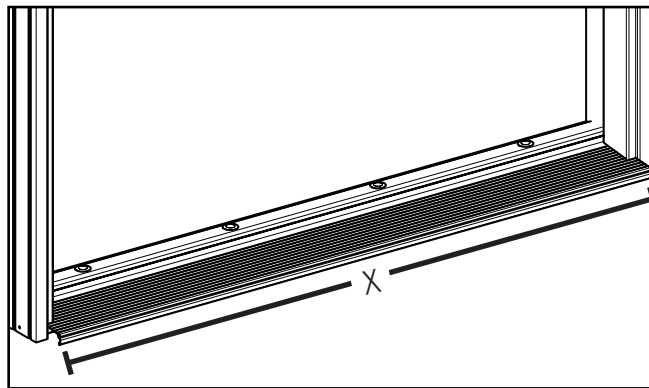
Tools Required

- Miter/Chop/Radial Saw (Carbide Tip Recommended)
- Measuring Tape
- Marker
- Staples (no larger than 1/2" x 1/2")
- Staple Gun (no more than 50 psi)

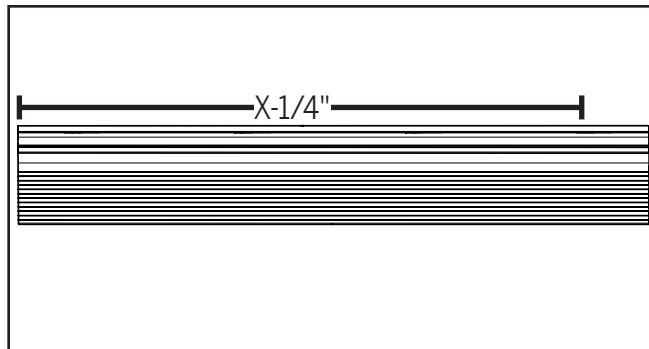
Kit Includes

- Standard Length Z-AC Sill
- Z-End Bases™ (2)

STEP 1: MEASURE THE PREVIOUS SILL

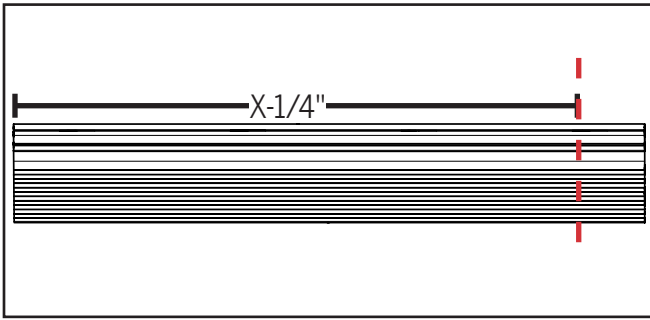


STEP 2: MARK THE NEW SILL



Measure and mark the new sill 1/4" less than the door opening. (X-1/4")

STEP 3: CUT THE NEW SILL

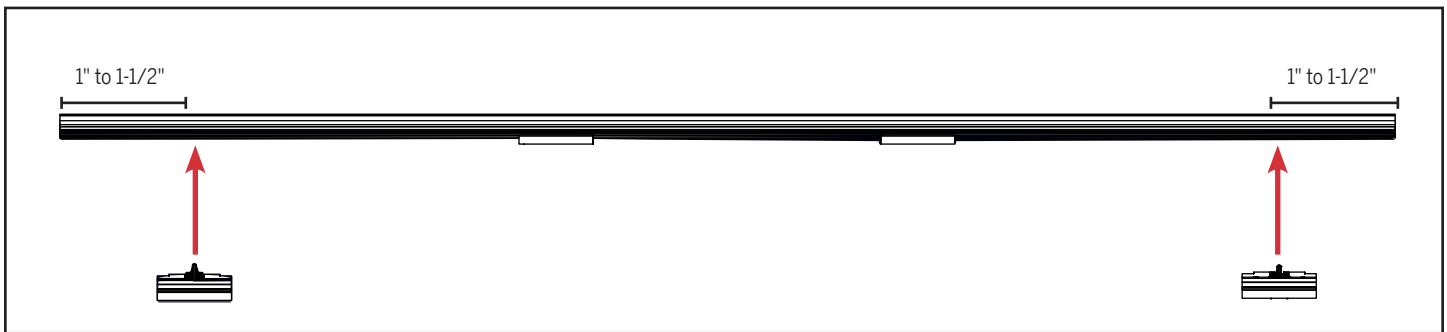


Using the mark you made (X-1/4"), cut the sill using a miter, chop or radial saw.

NOTE: If you are cutting more than 1" off, please do the following:

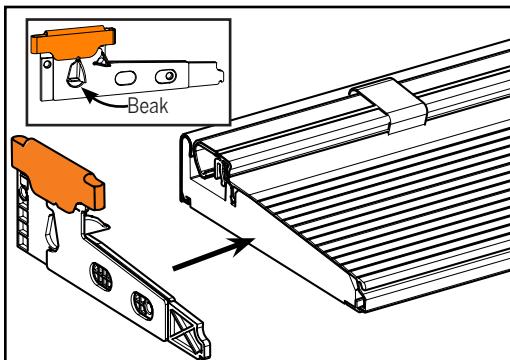
- Remove the cap assembly, including the spring-loaded center bases.
- Relocate the center bases inward to avoid cutting or damaging them
- Reapply the cap
- Cut the cap and sill together

STEP 4: REPOSITION THE SPRING-LOADED CENTER BASES ON THE CAP TO REFLECT THE FOLLOWING DIAGRAM



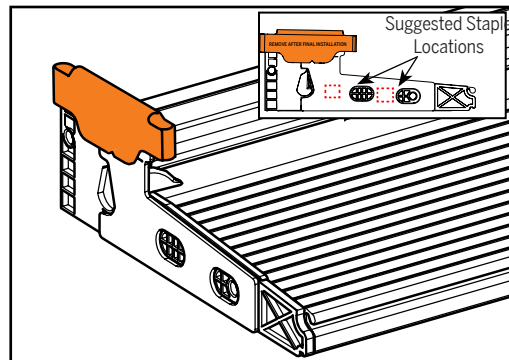
If necessary, reposition the spring-loaded center bases within the cap. The center bases on the end of the caps should be 1" to 1-1/2" from the ends. The center bases should be evenly spaced.

STEP 5: STAPLE ON THE Z-END BASES™



a. Place the Z-End Base™ against the end of the uninstalled sill as shown in image. Align the stiffener's "beak" on top of the sill deck, adjacent to the cap.

Note: Z-End Bases™ are handed and can only be placed one way.



b. Staple the base onto the side in the locations shown. Repeat this on the other end of the sill with the other Z-End Base™

*Do not use more than 50 psi to staple the bases into the sill.

Note: Leave the protective orange gasket on. Only remove after the door unit is fully installed.

*Remove the orange clips on the cap after the sill has been completely installed. To remove, press down on the cap, and pull up on the orange clip with a screwdriver.